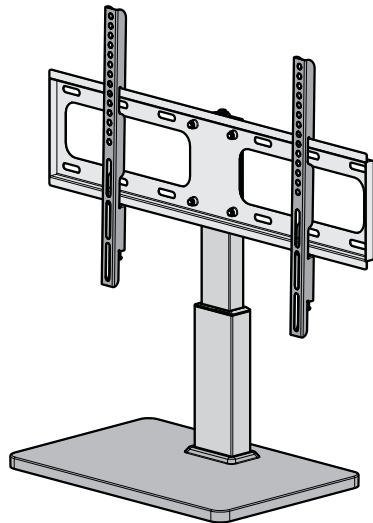


SANUS®

VTVS1 INSTRUCTION MANUAL



We'll Make It Stress-Free

If you have any questions along the way, just give us a call.

+31 (0) 495 580 852 UK: +44 (0) 800 056 2853 AUS: +61 (0) 7 3299 7000

We're ready to help!

IMPORTANT SAFETY INSTRUCTIONS – SAVE THESE INSTRUCTIONS – PLEASE READ ENTIRE MANUAL PRIOR TO USE

Before getting started, let's make sure this mount is perfect for you!

1

Does your TV weigh *more than 27.2 kg (60 lbs.)* including accessories?



No — Perfect!

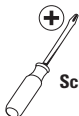
Yes — This mount is NOT compatible. Visit sanus.com or call +31 (0) 495 580 852 UK: +44 (0) 800 056 2853 to find a compatible mount.

2

Do you have the tools needed?



Level



Screwdriver

3

Ready to begin?

Please read through these instructions completely to be sure you're comfortable with this easy install process. Also check your TV owner's manual to see if there are any special requirements for mounting your TV.

If you do not understand these instructions or have doubts about the safety of the installation, assembly or use of this product, contact Customer Service.

▲ CAUTION: Avoid potential personal injuries and property damage! Manufacturer is not responsible for damage or injury caused by incorrect assembly or use.

▲ WARNING: Exceeding the weight capacity can result in serious personal injury or damage to equipment! It is the installer's responsibility to make sure the combined weight of the VTVS1 and the display does not exceed 27.2 kg (60 lbs). Use with heavier televisions may result in instability causing tip over resulting in death or serious injury!

▲ WARNING: Use this mounting system only for its intended use as described in these instructions. Do not use attachments not recommended by the manufacturer.

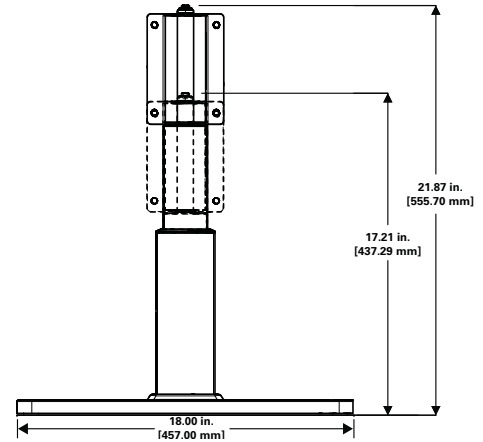
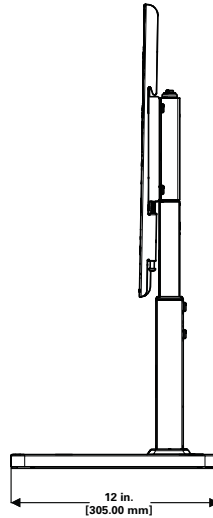
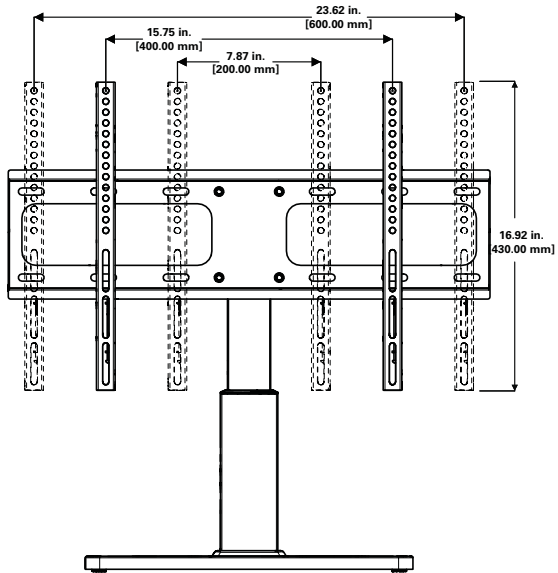
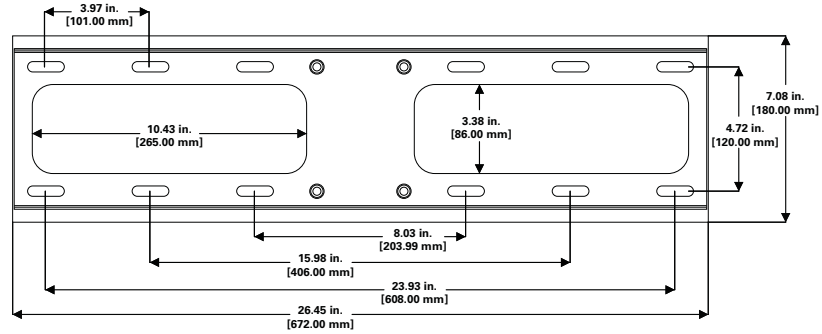
▲ WARNING: Death or serious injury may occur when children climb on audio and/or video equipment furniture. A remote control or toys placed on the furnishing may encourage a child to climb on the furnishing and as a result the furnishing may tip over onto the child.

▲ WARNING: Relocating audio and/or video equipment to furniture not specifically designed to support audio and/or video equipment may result in death or serious injury due to the furnishing collapsing or overturning onto a child.

📄 NOTE: The VTVS1 can support screen sizes of 37-70 in. diagonal.

📄 NOTE: The VTVS1 has no user serviceable parts.

Dimensions in. [mm]

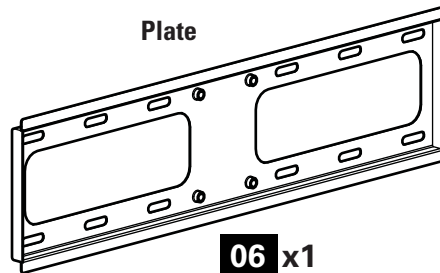
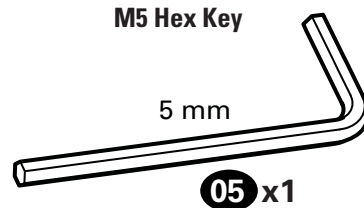
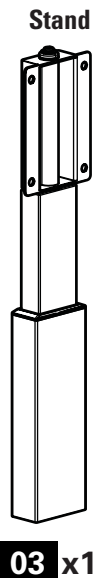
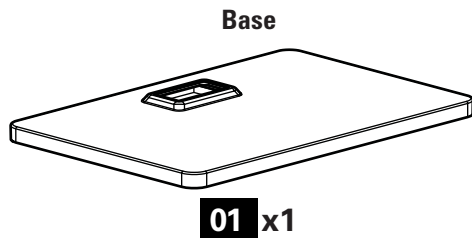


Supplied Parts and Hardware

⚠ WARNING: This product contains small items that could be a choking hazard if swallowed. Before starting assembly, verify all parts are included and undamaged. If any parts are missing or damaged, do not return the damaged item to your dealer; contact Customer Service. Never use damaged parts!

📄 NOTE: Not all hardware included will be used.

STEP 1 Parts and Hardware



STEP 2 Parts and Hardware

TV Brackets

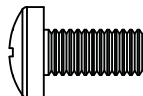


07 x2



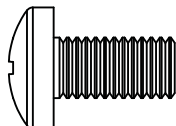
M4 X 12 mm

08 x4



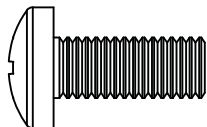
M6 X 12 mm

09 x4



M8 X 16 mm

10 x4



M8 X 20 mm

11 x4

TV Screws



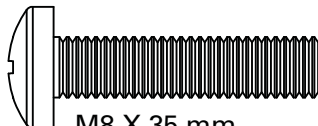
M4 X 35 mm

12 x4



M6 X 35 mm

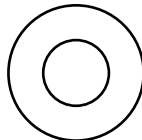
13 x4



M8 X 35 mm

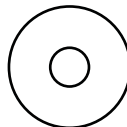
14 x4

Washers



M6/M8

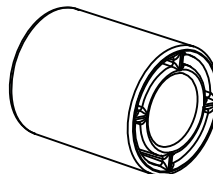
15 x4



M4/M5

16 x4

Spacers



22 mm

17 x4

STEP 3 Hardware

M4 Hex Key

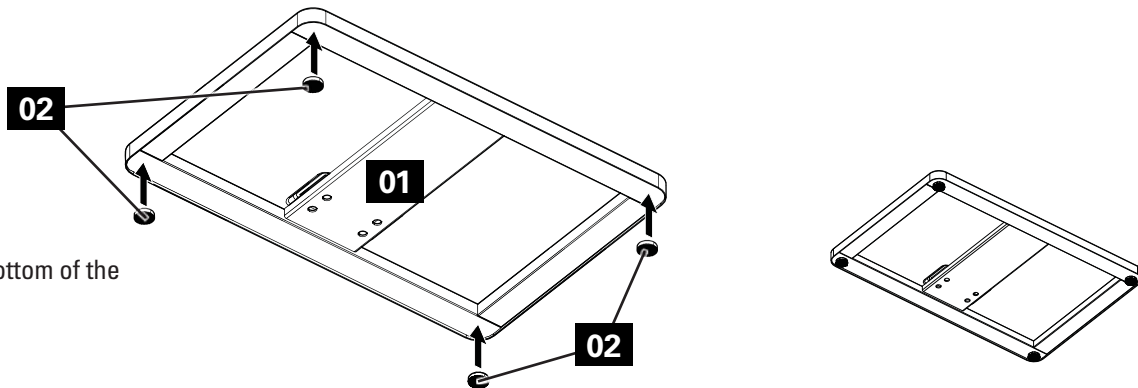


4 mm

18 x1

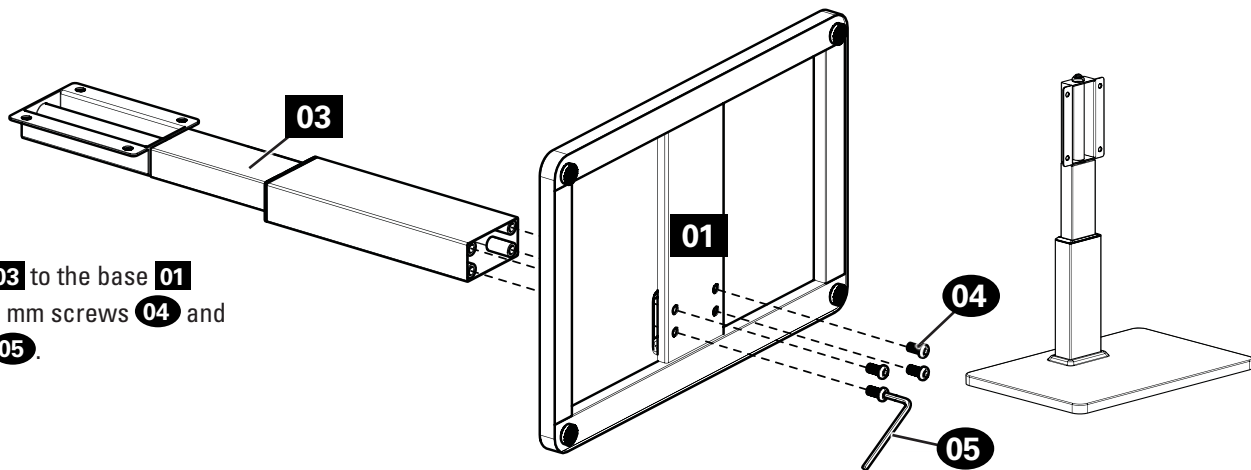
Step 1 Assemble Stand

1.1



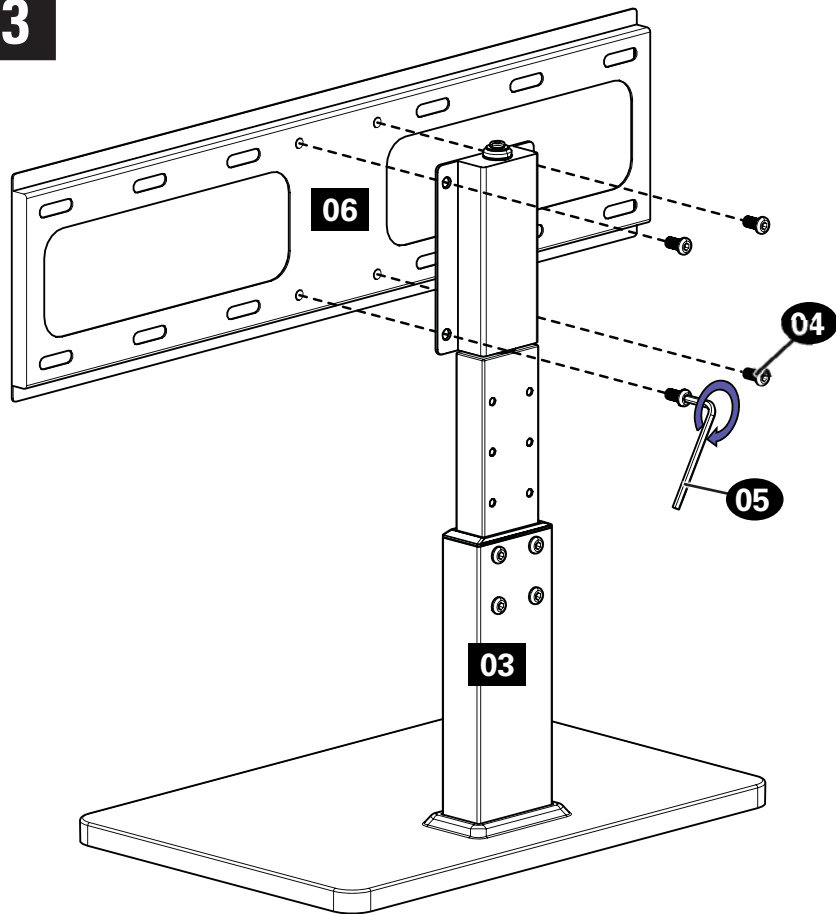
Place foot pads **02** on the bottom of the base **01** in the corners.

1.2

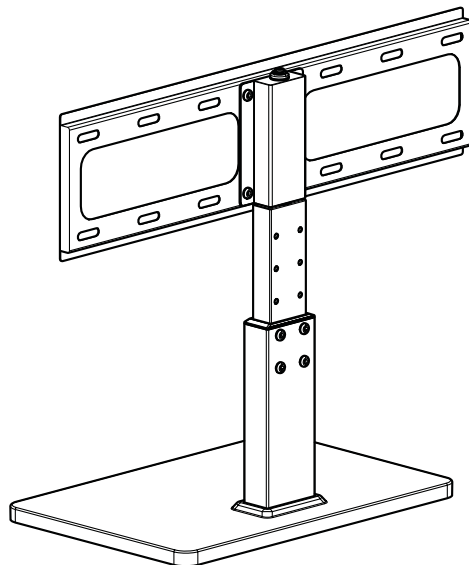


Attach the stand **03** to the base **01** using four M8 x 14 mm screws **04** and the 5mm hex key **05**.

1.3



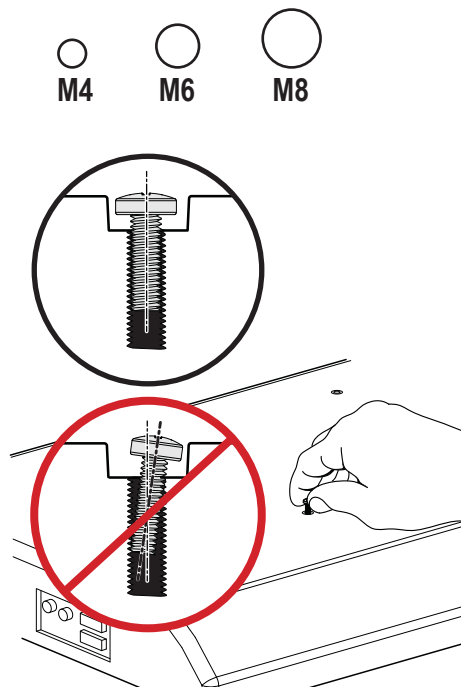
Attach the plate **06** to the stand **03** using four M8 x 14 mm screws **04** and the 5mm hex key **05**.



Step 2 Attach TV Brackets to TV

2.1 Select TV Screw Diameter

Hand thread TV screws into the threaded inserts on the back of your TV to determine which screw diameter (M4, M6, or M8) to use.

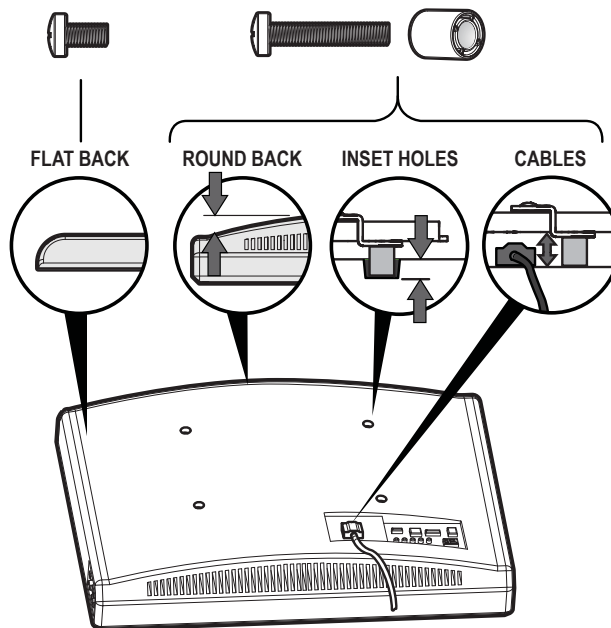


2.2 Select TV Screw Length

If your TV has a flat back, use the shorter TV screws.

Spacers and longer TV screws are supplied to accommodate:

- irregular / round back TVs
- TVs with inset mounting holes
- extra space needed for cables



⚠ CAUTION:

Verify adequate thread engagement with the screw or screw/spacer combination.

- Too short will not hold the TV.
- Too long will damage the TV.



Too Short



Correct



Too Long

2.3 Attach Vertical TV Brackets

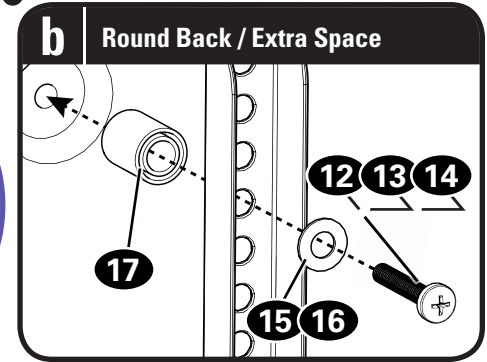
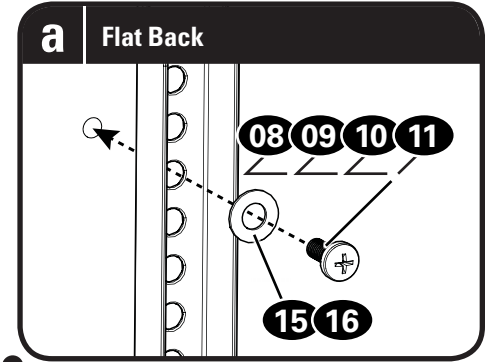
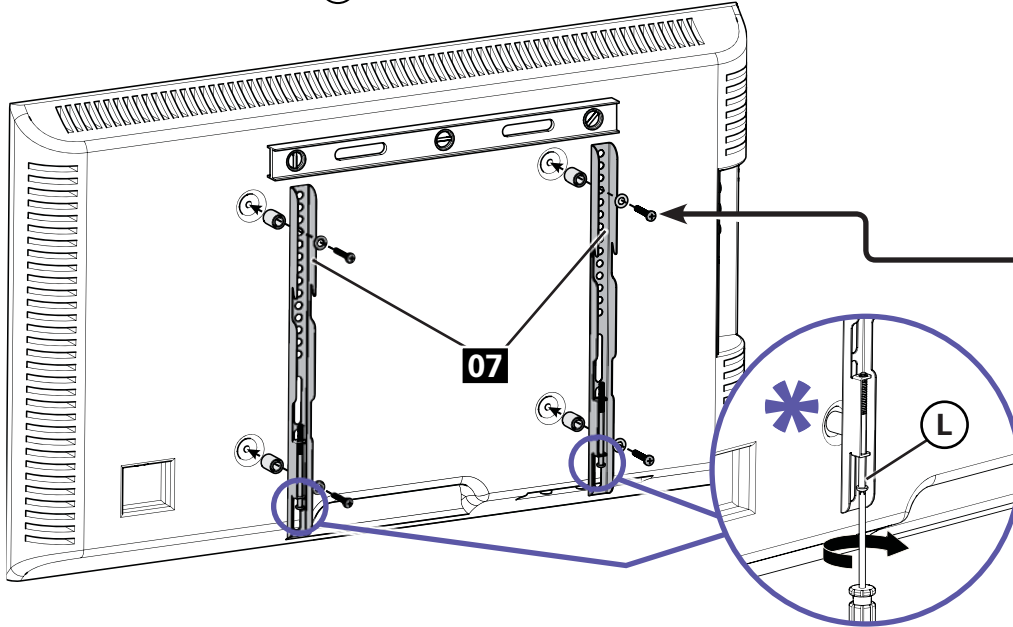
Ensure that your TV brackets **07** are level and centered on the back of the TV.

Install using the TV screw/washer/spacer configuration you selected for your TV.

⚠ CAUTION: Avoid potential personal injuries and property damage! DO NOT use power tools for this step. Tighten the TV screws only enough to secure the TV brackets **07** to the TV. DO NOT overtighten the TV screws.

! IMPORTANT: Ensure TV brackets **07** are securely fastened before moving on to the next step.

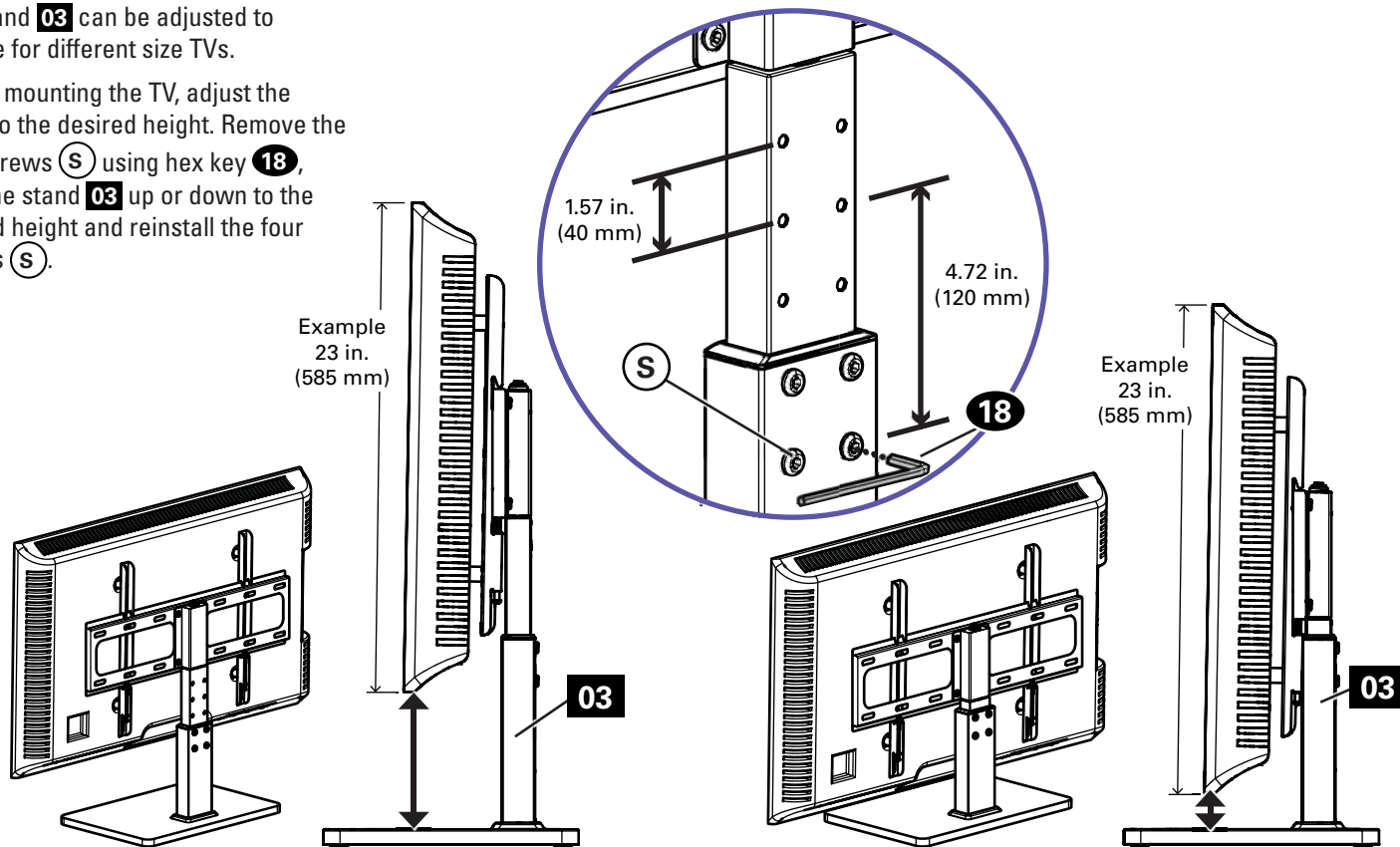
***NOTE:** Back off locking screws **(L)** enough to give clearance when mounting to plate.



Step 3 Determine Height of TV on Stand

The stand **03** can be adjusted to provide for different size TVs.

Before mounting the TV, adjust the stand to the desired height. Remove the four screws **S** using hex key **18**, slide the stand **03** up or down to the desired height and reinstall the four screws **S**.



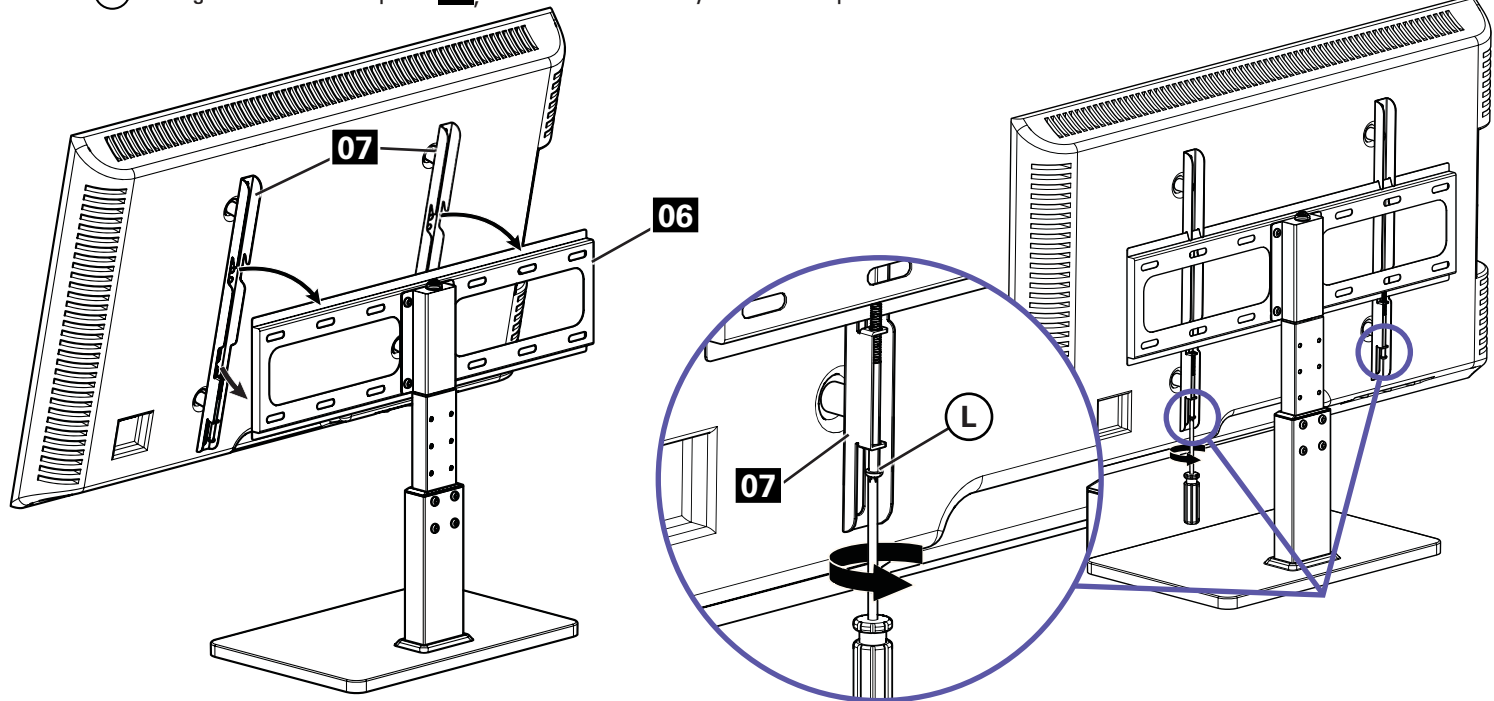
Step 4 Hang TV onto Stand

Hang the TV with brackets **07** onto the plate **06**.

Center the TV on the plate **06** and secure with the locking screws **(L)** on the TV brackets **07**.

▲ CAUTION: Avoid potential personal injuries and property damage! Make sure locking screws **(L)** are tightened **BEHIND** plate **06**, so the TV is securely fastened in place.

To Remove the TV: Loosen locking screws **(L)** enough to pull the **BOTTOM** of the TV away from, then up and off of plate **06**.



SANUS®

Thank you for choosing SANUS! Please take a moment to let us know how we did:



Call us: +31 (0) 495 580 852

UK: +44 (0) 800 056 2853

AUS: +61 (0) 7 3299 7000



Email us: sanus.europe@milestone.com



Leave a review: sanus.com

Milestone AV Technologies and its affiliated corporations and subsidiaries (collectively, "Milestone"), intend to make this manual accurate and complete. However, Milestone makes no claim that the information contained herein covers all details, conditions, or variations. Nor does it provide for every possible contingency in connection with the installation or use of this product. The information contained in this document is subject to change without notice or obligation of any kind. Milestone makes no representation of warranty, expressed or implied, regarding the information contained herein. Milestone assumes no responsibility for accuracy, completeness or sufficiency of the information contained in this document.

©2016 Milestone AV Technologies. All rights reserved. SANUS is a division of Milestone.

All other brand names or marks are used for identification purposes and are trademarks of their respective owners.

SANUS • 6436 City West Parkway • Eden Prairie, MN 55344 USA

6901-602053 00